

Sync01VP3 Powered Air Purifying Respirator

PRODUCT DESCRIPTION

Breath responsive PAPR of Full face mask integrated with a fan unit making it "Compact", "Economical", "Light", with a high protection.

APPLICATION

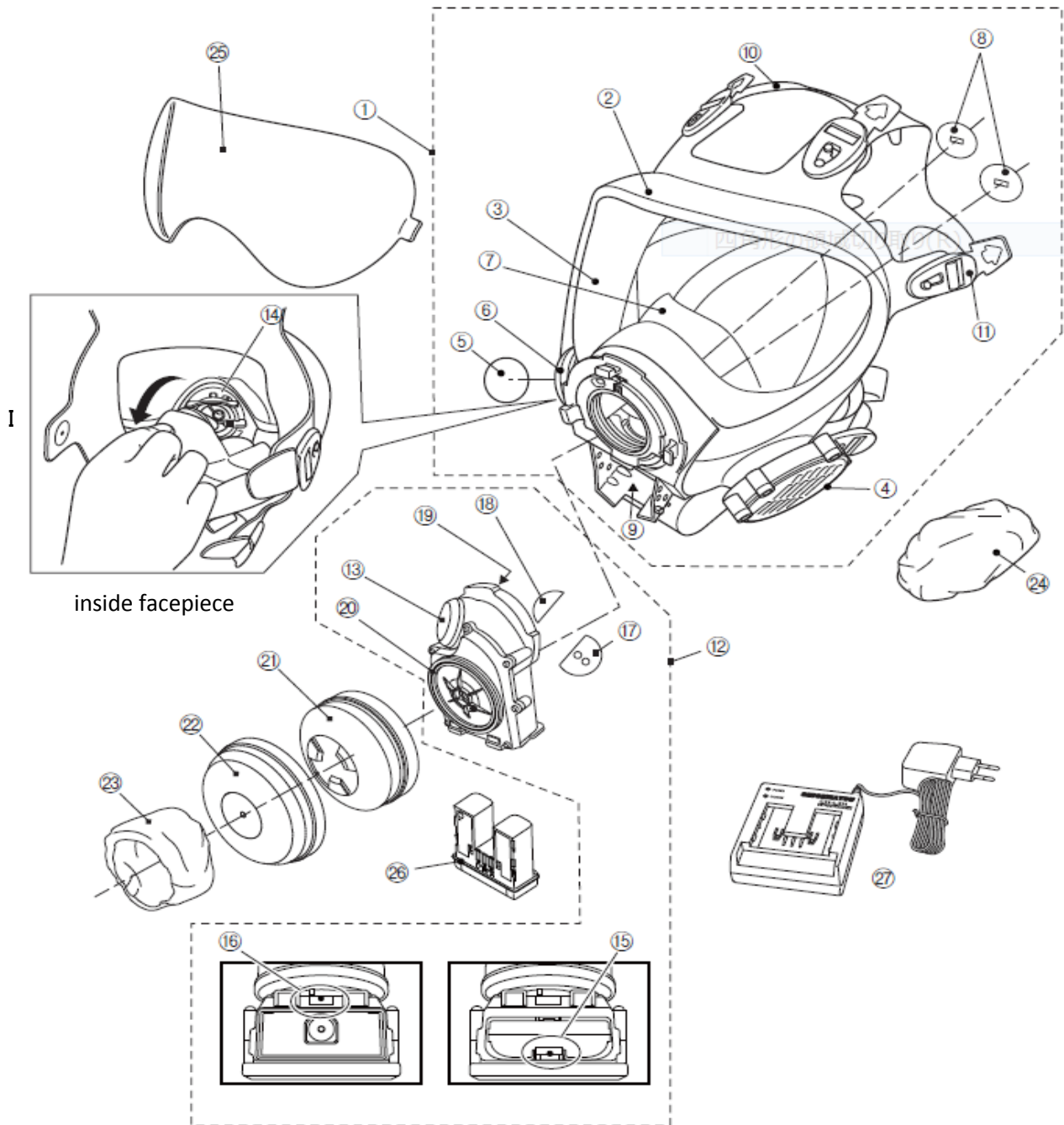
Sync01VP3 Powered Air Purifying REspirator can **ONLY** be used with VP3 filter. Please refer to the back page for further information of filter.

KEY FEATURES

Easy breathing	Breath responsive PAPR provides clean filtered air by fan as you inhale.
Long life and light battery	Breath responsive makes a long battery life with light-weight built-in battery.
High protection	Positive pressure is maintained inside the mask.
Cordless	No battery connection cable which does not disturb your work.
Switchless	Automatic ON/OFF function.
LED indicators	Two indicators for Battery life and filter replacement .
IP65 certified	Facepiece can be washed with water (removable fan unit).

TECHNICAL DATA

Material	SBC (Stylene-butadiene copolymers)
Sizes	Medium (M), Large (L)
Visor	Anti-scratch coated polycarbonate
Connector	"Bayonet" connectors for use with STS VP3 filter
Weight	Approx. 755-770g (without filters)
Approvals	EN12942:1998+A2:2008 TM3 P R SL IEC 60529:2001 IP65 rated



PARTS LIST

No.	Part name		Order No.
F a c e p i e c e	① *Facepiece "FP-E01"	M	41731
		L	41732
	② Face Blank		-
	③ Visor		-
	④ Speech Diaphragm		-
	⑤ Exhalation valve		50000
	⑥ Exhalation Valve Cover		03126
	⑦ *Inner Mask		41114
	⑧ *Inner Mask Valve		50122
	⑨ *Drain Valve		50008
	⑩ *Head Harness		41401
⑪ Buckle		-	
F a n U n i t	⑫ *Fan Unit "FU-E01"		41730
	⑬ Breathing Monitor		-
	⑭ Filter Replacement Indicator		-
	⑮ Battery Lock Lever		-
	⑯ Battery Life Indicators		-
	⑰ *Inhalation Valve		03127
	⑱ *Protective Sponge		03124
	⑲ *Gasket (Fan Unit - Facepiece)		03123
	⑳ *Gasket (Filter - Fan Unit)		03122
	㉑ *Filter "VP3"		40350
O t h e r s	㉒ *Filter Guard		03118
	㉓ *Unit Cover		02800
	㉔ *Speech Diaphragm Cover		03109
	㉕ *Cover glass		02659
	㉖ *Battery "BA-L2H-E"		41735
	㉗ *Charger "CH-L2HAC"		41734

*=Spare parts available for purchase

COMPATIBLE FILTERS

Filter	Product name	Filter type	Colour code	Application
Particle filter	VP3	P R SL	White	Solid and liquid particles

MATERIALS

Component	Material
1. Facepiece "FP-E01"	
Face Blank	SBC (Styrene-butadiene copolymers)
Visor	Polycarbonate
Speech diaphragm	ABS (Acrylonitrile butadiene styrene), Teflon, SUS
Exhalation Valve	Silicone Rubber
Exhalation Valve Cover	PBT (Polybutylene terephthalate)
Inner Mask	SBC (Styrene-butadiene copolymers)
Inner Mask Valve	Silicone Rubber
Drain Valve	Silicone Rubber
Head Harness	TPU (Thermoplastic polyurethane), PBT (Polybutylene terephthalate)
2. Fan Unit "FU-E01"	
Inhalation Valve	Silicone Rubber
3. Battery "BA-L2H-E"	
Battery	Lithium-ion battery

IMPORTANT NOTICE

All information contained in tables and notes have been compiled using skills and diligence. SHIGEMATSU WORKS CO., LTD. publishes such information in good faith however will not be responsible for any errors or omissions contained in this guide.