

# Model EWS480

*Pedestal Mounted Eye/Face Wash, Plastic Bowl*

## SPECIFICATIONS:

Model EWS480 is a pedestal mounted eye/face wash, with a plastic bowl, ABS plastic eye/face wash spray heads, an inline strainer and a stay-open 1/2" ball valve with a push handle.

## STANDARD EQUIPMENT:

**Spray Head Assembly:** ABS yellow plastic eye/face wash heads with integral flip dust covers, internal flow controls and filters to remove debris from the water. An anti-microbial agent is molded into the ABS material, providing integrated protection.

**Valve:** 1/2" NPT chrome plated brass stay-open ball valve with a stainless steel push handle and a 50 mesh inline strainer.

**Water Supply:** 1/2" NPT female threaded, chrome plated brass inlet.

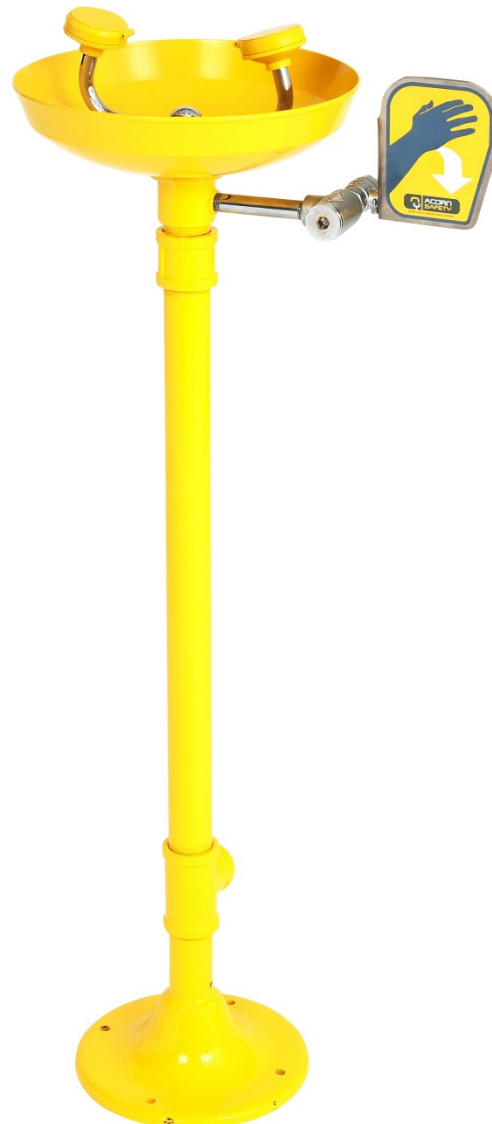
**Waste:** 1-1/4" NPT female outlet.

**Bowl:** Yellow, ABS plastic 11-3/4" diameter bowl.

**Piping & Mounting:** Schedule 40 galvanized steel piping and a 9-1/8" diameter cast iron floor flange with a yellow powder coated finish.

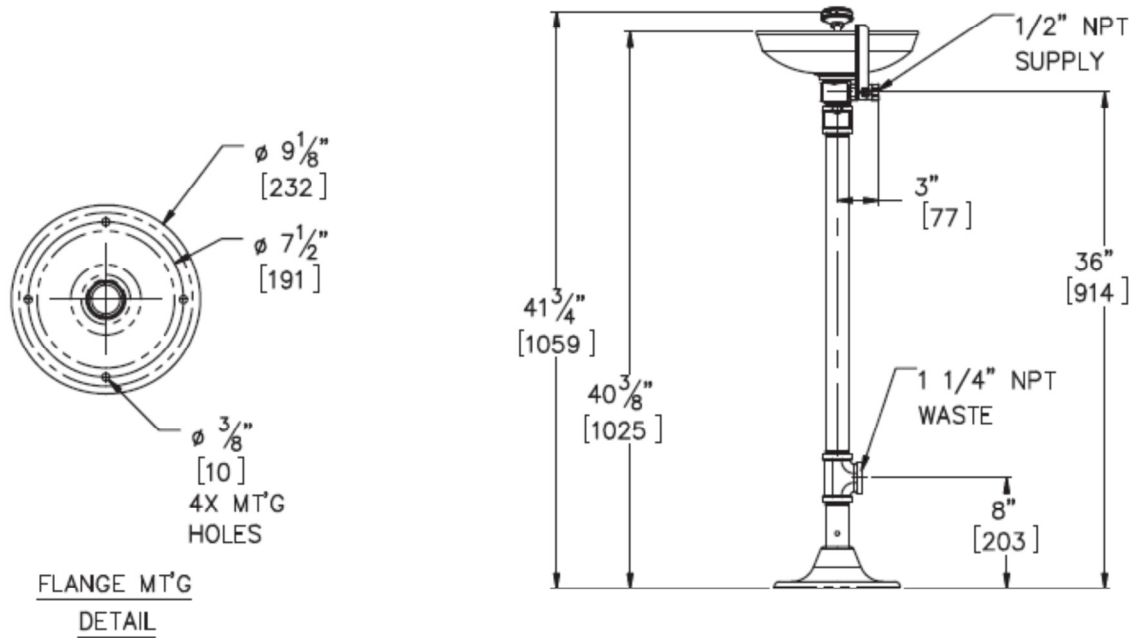
**Universal Sign:** ANSI compliant, vertical identification sign.

**Weekly Test Tag:** A waterproof test card to record the date and inspector's name for weekly functional testing of the unit.



## TECHNICAL DIMENSIONS:

□ Model S0320 : Pedestal Mounted Eye/Face Wash, Plastic Bowl



### GENERAL NOTES:

1. ALL DIMENSIONS ARE IN INCHES [MM].