

## Wall Mounted Eye/Face Wash, Plastic Bowl

### EWS420

Model EWS420 is a wall mounted eye/face wash, with a plastic bowl, ABS plastic eye/face wash spray heads, an inline strainer and a stay-open 1/2" ball valve with a push handle.

#### Technical Details

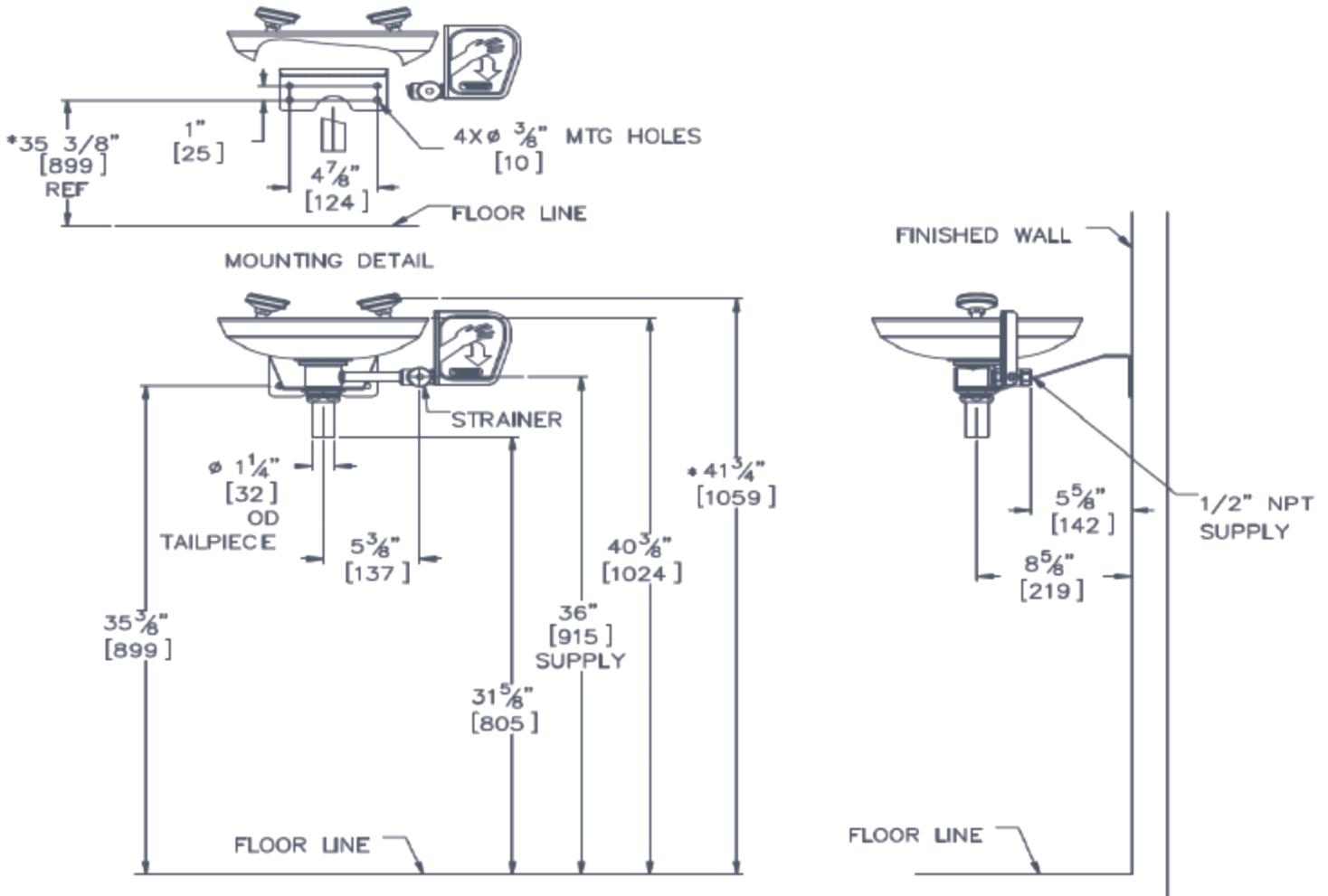
- **Spray Head Assembly:** ABS yellow plastic eye/face wash heads with integral flip dust covers, internal flow controls and filters to remove debris from the water. An anti-microbial agent is molded into the ABS material, providing integrated protection.
- **Valve:** 1/2" NPT chrome plated brass stay-open ball valve with a stainless steel push handle and a 50 mesh inline strainer.
- **Water Supply:** 1/2" NPT female threaded, chrome plated brass inlet.
- **Waste:** Chrome plated brass, 1-1/4" OD tailpiece.
- **Bowl:** Yellow, ABS plastic 11-3/4" diameter bowl.
- **Mounting:** 11 gage galvanized steel wall bracket with a yellow powder coated finish.
- **Universal Sign:** ANSI compliant, vertical identification sign.
- **Weekly Test Tag:** A waterproof test card to record the date and inspector's name for weekly functional testing of the unit.



there's safe and there's Maxisafe.

# Wall Mounted Eye/Face Wash, Plastic Bowl

EWS420



**General Notes:**

1. Unit: Inches
2. Dimensions shown are for nominal adult height. ANSI Z358.1 requires nozzles to be between 33" [838] and 45" [1143] above the floor.
2. P-trap not provided

there's safe and there's Maxisafe.

DISTRIBUTED BY

[www.maxisafe.com.au](http://www.maxisafe.com.au)

© Maxisafe is a registered trademark of Techware Pty Ltd